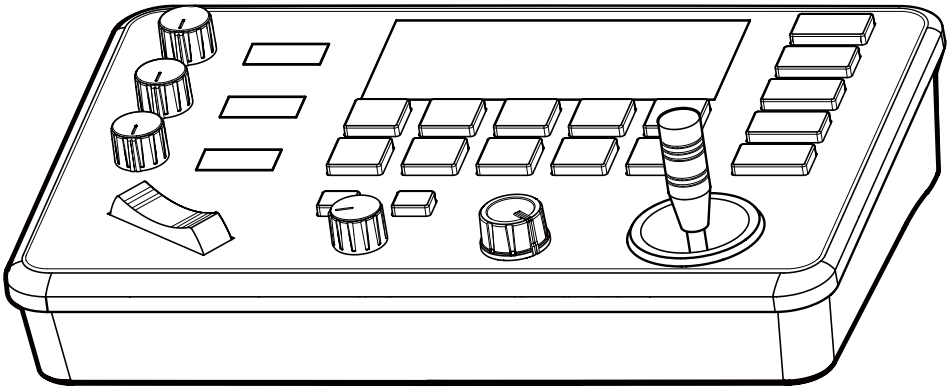


# PTZ Controller

User Manual (V2.3)



# Content

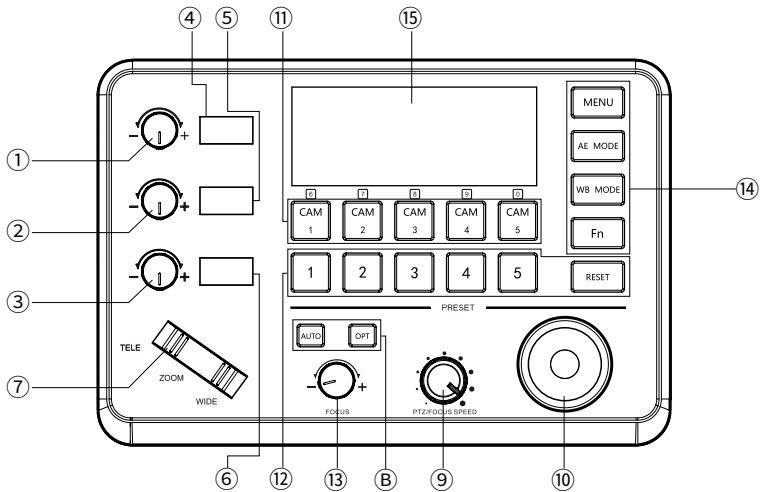
---

<b>Parameters &amp; Specs</b>	2
Control Interface	2
Camera Control or Operation	2
Control Signal Format	2
Power Supply and Consumption	2
Physical & Others	2
<b>Description of Button &amp; Knob Function</b>	3
<b>Interface Function and Connection Diagram</b>	10
Upgrade interface	10
RS422/RS485 interface	10
RS232 interface	11
LAN Port	11
12V Power Supply Interface	12
<b>System Menu Operation Instructions</b>	13
System Menu Operation & Explanation	13
System Menu	13
System Settings	13
Comm Settings	14
Ethernet Settings	15
IP Camera Search	16
Password Settings	16
System Menu Guide	17
<b>Web Interface Function Description Product Dimensions</b>	17
<b>Products Dimensions</b>	21

# Parameters & Specs

Communication & Control Interface	
RS422/RS485 Interface	Phoenix Contact 4 pin 3.81mm Terminal
RS232C Interface	DB9 Male Interface
LAN Interface	RJ45 Female Interface
Power Supply	JEITA type4 Female Interface
Upgrade Online	Micro USB Female Interface
Camera Control or Operation	
Supports up to Control Cameras	10
Communication Protocol	VISCA, PELCO P/D, UDP
Number of LED Displays	4 Units Color LED Display Screen
Number of Camera Channel	5
Infinitely variable knobs	4
Joystick	2-Axis
Zoom Mode	Tele-Wide Bridge Keys
Buttons	17 Silicon Button
Presets Short keys	Max 10 Presets for selection per Each Channel
Focus Mode	Auto/ Manual/ OPT
Pan/Tilt Rotation Speed	7-Level Adjustment
Zoom In/Out Speed	7-Level Adjustment
AE Mode	The mode can be switched arbitrarily, and the value can be adjusted
WB Mode	
Camera Menu	One-keys for call
Control Signal Format	
Baud Rate	2400bps, 4800bps, 9600bps, 19200bps, 38400bps
Date Bits	8 Bit
Stop Bit	1 Bit
Parity bit	NONE
Internet Protocol	UDP / VISCA OVER IP
Power Supply and Consumption	
Rated Voltage	DC 12V / Power Over Ethernet(Optional)
Rated Current	0.3A max
Max Power Consumption	3.6W
Physical & Others	
Password Privacy Protection	YES
Kingston's Lock Holes	YES
Works Temperature	0°C ~ 40°C ( 32 °F ~ 104 °F )
Storage Temperature	-20°C ~ +60°C ( -4 °F ~ 140 °F )
Works Environments	Indoor
Dimensions (L× W × H)	244 × 164 × 48mm
G.W	1.1 kg
Accessories	Phoenix Contact 4 pin 3.81mm Terminal / Power Adapter / User Manual

# Description of Button & Knob Function



① This Rotation Knob which was to adjustment the Camera Exposure Parameter or Red Gain Value, Turn Right Rotation was to changed the valued Increased, Turn Left Rotation was changed the Valued Decreased.

② This Rotation Knob which was to adjustment the Camera Exposure Parameter or Blue Gain Value, Turn Right Rotation was to changed the valued Increased, Turn Left Rotation was changed the Valued Decreased.

③ This Rotation Knob which was to adjustment the Camera Exposure Parameter, Turn Right Rotation was to changed the valued Increased, Turn Left Rotation was changed the Valued Decreased.

④ LED Display, Real-time display of items and parameter values of adjusted by " knob ① ".

⑤ LED Display, Real-time display of items and parameter values of adjusted by " knob ② ".

⑥ LED Display, Real-time display of items and parameter values of adjusted by " knob ③ ".

⑦ Zoom Bridge Key

It is used to control the camera to Zoom In/Out, for example, press the TELE end of the bridge key, the camera will Zoom in the TELE direction object, When you Press with more Large Pressure, then the Zoom Speed changed more Faster.

# Description of Button & Knob Function

---

## ⑧ Focus Function Zoon

When the Backlight of [AUTO]Button is Light up, it means that the current focusing mode is the automatic; When the Backlight of [AUTO] Button is Light Off, it means that Current Focus Mode is changed to Manual. User can Press this button to switch the mode.

[OPT key] is used to trigger the single focus of the camera.At the same time, the camera enters the one-shot auto focus mode.

## ⑨ PTZ Speed Adjustment Knob

This knob is used to adjust the speed of Camera Pan, Tilt and Zoom, with a total of 7 gears.

The Current Gear will be display at Led Display. The Gear Value is more small then the pan/tilt rotation speed or the zoom speed of the camera controlled by the keyboard will be more Slowly.

## ⑩ 2-Axis Joystick

The joystick supports control camera to Up/Down, Left and Right movement.

When the camera or keyboard menu is opened, the joystick is used to control the menu cursor Up/Down,Left/Right movement and modify parameters.

## ⑪ Channel Button Zone

[ CAM1 ] to [ CAM5 ] are shortcut keys for camera channels, which can be Freely switched and selected according to your need. When you select any camera channel, the backlight of the corresponding camera channel will be light up in green, and all the parameters and settings of the keyboard will be changed to the current Channel.Long press Cam1 to switch to channel Cam6, long press Cam2 to switch to channel Cam7, long press Cam3 to switch to channel Cam8, long press Cam4 to switch to channel Cam9, long press Cam5 to switch to channel Cam10.

Note: The communication parameters (address ID, protocol, baud rate, IP address, port number, etc. ) of each channel can be set individually.Support mixed use of multiple protocols through different channel.

# Description of Button & Knob Function

---

## ⑫ Presets Function Zone

### ● [ Number Keys ]

#### SETTING PRESETS :

Long Press and hold the number key for 2 seconds (such as [Number key 1], when the screen displays "Set Preset 1" means that preset 1 has been saved)

#### CALL PRESETS :

Short press the preset number to be call Presets, (for example, [Number key 1], when you press the [Number key 1]the screen displays "Show Preset 1", it means that preset 1 has been call).

### ● [ RESET Key ]

When the menu selection is "5 Presets Mode": This mode is used to clear presets.

Press the [RESET key] and the [Number Key] simultaneously to clear the preset setting.

To clear a preset: After pressing the [RESET key], the green backlight starts to flash. Then, press the number key corresponding to the preset that needs to be cleared.

e.g.press [RESET] + [NUMBER KEY 1]. At this time, the green backlight of the [RESET key] stops flashing, and simultaneously, "Reset Preset 1" is displayed on the screen, indicating that preset 1 has been cleared.

When the menu selection is "10 Presets Mode": This mode is used to set and recall presets.

Press [RESET] and [Number Keys] to set and recall presets.

Press the [RESET Key]. The green backlights of the [Number Key] and [CAM1] ~ [CAM5] will turn on. At this time, [CAM1] ~ [CAM5] correspond to the numbers 6 - 0 silk - screened on the top of the keys.

Set and Save a Preset: Press and hold a number key for 2 seconds.

e.g.when using [CAM5], if the screen shows "Set Preset 10", it means that preset point 10 has been successfully saved.

# Description of Button & Knob Function

---

Recall a Preset: Simply press the number key of the preset you need to recall briefly.

Taking [CAM5] as an example, when the screen shows "Show Preset 10", it indicates that preset point 10 has been recalled.

## ⑬ FOCUS Knob

This Knobs is using to adjustment camera' s focal length, Rotation right direction is adjustment focus length near, Rotation Left direction is adjustment focus length Far; (When User using this function, the keyboard's Focus mode will be changed to Manual, It wasn't available on AUTO Mode).

## ⑭ Function Key Zone

### ● [Menu Key]

This key is to Turn ON/OFF Camera Menu, Long Press with 3secs will turn on Keyboard system Menu.

### ● [AE MODE Key]

This key is used to change the automatic exposure mode of the camera. Each time is pressed, the camera changes to different exposure mode. Under in difference of exposure mode, the corresponding functions of Knob 1, Knob 2 and Knob 3 are different. It is shown in real time on the display at the right of the knob.

The specific functions of the knobs are shown in Table 1:

Exposure Mode	Knob 1	Knob 2	Knob 3
Auto	NOT USED	NOT USED	Exposure Compensation
Manual	Shutter	Iris	Gain
Shutter Priority	Shutter	NOT USED	Exposure Compensation
Iris Priority	Iris	NOT USED	Exposure Compensation
Brightness Priority	Iris	Gain	Exposure Compensation

Table 1

# Description of Button & Knob Function

---

## ● [ WB MODE Key ]

This Key is used to changed the White Balance of the camera. Each Time is pressed, the camera will be changed to different WB Mode.Under in difference of WB mode, the corresponding functions of Knob 1, Knob 2 are different.

The specific functions of the knobs are shown in Table 2:

White Balance Mode	Knob 1	Knob 2
Auto	NOT USED	NOT USED
Manual	Red Gain	Blue Gain

Table 2

## ● [ Fn Keys ]

This key is reserved for adding custom functions.

The factory default state is: short press this key to send the command to enter the Sub-menu of the camera, long press this key for 3 seconds to back Home Position of Camera.

## ⑮ LED DISPLAY

It is used to display the current status information & Setting information of the keyboard in real time (including IP address, Port number, serial port address, communication protocol, Baud Rate and other information) and keyboard menu, the brightness of the display can be set through the keyboard menu.

When the selected camera brand does not match the camera used, the parameter values displayed on the screen correspond to the knob ① /Knob ② / knob ③ may not match the actual parameters of the camera.

If the camera what you using not on the list of Camera Brand, Please contact with our sales or Reseller.

In additional, the list of Commands and AE Values setting will be need from your camera vendor.

# Description of Button & Knob Function

Execution Command			
CAM_WB	Auto	8x 01 04 35 00 FF	Normal Auto
	Indoor	8x 01 04 35 01 FF	Indoor mode
	Outdoor	8x 01 04 35 02 FF	Out door mode
	One Push WB	8x 01 04 35 03 FF	One Push WB mode
	ATW	8x 01 04 35 04 FF	Auto Tracing White Balance
	Manual	8x 01 04 35 05 FF	Manual Control Mode
	One Push Trigger1	8x 01 04 10 05 FF	One Push WB Trigger
CAM_RGain	Reset	8x 01 04 03 00 FF	Manual Control of R Gain
	Up	8x 01 04 03 02 FF	
	Down	8x 01 04 03 03 FF	
	Direct	8x 01 04 43 00 00 0p 0q FF	pq: R Gain
CAM_BGain	Reset	8x 01 04 04 00 FF	Manual Control of B Gain
	Up	8x 01 04 04 02 FF	
	Down	8x 01 04 04 03 FF	
	Direct	8x 01 04 44 00 00 0p 0q FF	pq: B Gain
CAM_AE	Full Auto	8x 01 04 39 00 FF	Automatic Exposure mode
	Manual	8x 01 04 39 03 FF	Manual Control mode
	Shutter Priority	8x 01 04 39 0A FF	Shutter priority Exposure mode
	Iris Priority	8x 01 04 39 0B FF	Iris priority Exposure mode
	Bright	8x 01 04 39 0D FF	Bright Mode(Manual control)
CAM_Shutter	Reset	8x 01 04 0A 00 FF	Shutter Setting
	Up	8x 01 04 0A 02 FF	
	Down	8x 01 04 0A 03 FF	
	Direct	8x 01 04 4A 00 00 0p 0q FF	pq: Shutter Position
CAM_Iris	Reset	8x 01 04 0B 00 FF	Iris Setting
	Up	8x 01 04 0B 02 FF	
	Down	8x 01 04 0B 03 FF	
	Direct	8x 01 04 4B 00 00 0p 0q FF	pq: Iris Position
CAM_Gain	Reset	8x 01 04 0C 00 FF	Gain Setting
	Up	8x 01 04 0C 02 FF	
	Down	8x 01 04 0C 03 FF	
	Direct	8x 01 04 4C 00 00 0p 0q FF	pq: Gain Position
	AE Gain Limit	8x 01 04 2C 0p FF	p: Gain Position (4 to F)
CAM_Bright	Up	8x 01 04 0D 02 FF	—
	Down	8x 01 04 0D 03 FF	
	Direct	8x 01 04 4D 00 00 0p 0q FF	pq: Bright Position
CAM_ExpComp	On	8x 01 04 3E 02 FF	Exposure Compensation ON/OFF
	Off	8x 01 04 3E 03 FF	
	Reset	8x 01 04 0E 00 FF	Exposure Comp Amount Setting
	Up	8x 01 04 0E 02 FF	
	Down	8x 01 04 0E 03 FF	
	Direct	8x 01 04 4E 00 00 0p 0q FF	pq: ExpComp Position

# Description of Button & Knob Function

Inquiry Command			
CAM_WBModelInq	8x 09 04 35 FF	y0 50 00 FF	Auto
		y0 50 01 FF	In Door
		y0 50 02 FF	Out Door
		y0 50 03 FF	One Push WB
		y0 50 04 FF	ATW
		y0 50 05 FF	Manual
CAM_RGainInq	8x 09 04 43 FF	y0 50 00 00 0p 0q FF	pq: R Gain
CAM_BGainInq	8x 09 04 44 FF	y0 50 00 00 0p 0q FF	pq: B Gain
CAM_AEModelInq	8x 09 04 39 FF	y0 50 00 FF	Full Auto
		y0 50 03 FF	Manual
		y0 50 0A FF	Shutter Priority
		y0 50 0B FF	Iris Priority
		y0 50 0D FF	Bright
CAM_ShutterPosInq	8x 09 04 4A FF	y0 50 00 00 0p 0q FF	pq: Shutter Position
CAM_IrisPosInq	8x 09 04 4B FF	y0 50 00 00 0p 0q FF	pq: Iris Position
CAM_GainPosInq	8x 09 04 4C FF	y0 50 00 00 0p 0q FF	pq: Gain Position
CAM_BrightPosInq	8x 09 04 4D FF	y0 50 00 00 0p 0q FF	pq: Bright Position
CAM_ExpCompModelInq	8x 09 04 3E FF	y0 50 02 FF	On
		y0 50 03 FF	Off
CAM_ExpCompPosInq	8x 09 04 4E FF	y0 50 00 00 0p 0q FF	pq: ExpComp Position

Shutter Speed	/	59.94/29.97 mode	50/25 mode
	15	1/10000	1/10000
14	1/6000	1/6000	
13	1/4000	1/3500	
12	1/3000	1/2500	
11	1/2000	1/1750	
10	1/1500	1/1250	
0F	1/1000	1/1000	
0E	1/725	1/600	
0D	1/500	1/425	
0C	1/350	1/300	
0B	1/250	1/215	
0A	1/180	1/150	
09	1/125	1/120	
08	1/100	1/100	
07	1/90	1/75	
06	1/60	1/50	
05	1/30	1/25	
04	1/15	1/12	
03	1/8	1/6	
02	1/4	1/3	
01	1/2	1/2	
00	1/1	1/1	

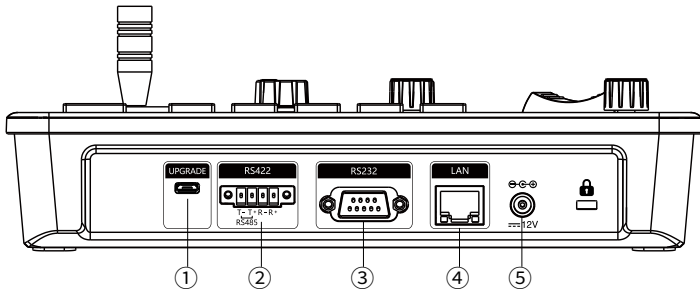
Exposure Comp	Display		Compensation values
	0E	7	
0D	6		+9dB
0C	5		+7.5dB
0B	4		+6dB
0A	3		+4.5dB
9	2		+3dB
8	1		+1.5dB
7	0		0dB
6	-1		-1.5dB
5	-2		-3dB
4	-3		-4.5dB
3	-4		-6dB
2	-5		-7.5dB
1	-6		-9dB
0	-7		-10.5dB

Bright	IRIS		GAIN
	1F	F1.6	
1E	F1.6		+39dB
1D	F1.6		+36dB
1C	F1.6		+33dB
1B	F1.6		+30dB
1A	F1.6		+27dB
19	F1.6		+24dB
18	F1.6		+21dB
17	F1.6		+18dB
16	F1.6		+15dB
15	F1.6		+12dB
14	F1.6		+9dB
13	F1.6		+6dB
12	F1.6		+3dB
11	F1.6		0dB
10	F2		0dB
0F	F2.4		0dB
0E	F2.8		0dB
0D	F3.4		0dB
0C	F4		0dB
0B	F4.8		0dB
0A	F5.6		0dB
9	F6.8		0dB
8	F8		0dB
7	F9.6		0dB
6	F11		0dB
5	F14		0dB
0	CLOSE		0

0F	+43dB
0E	+39dB
0D	+36dB
0C	+33dB
0B	+30dB
0A	+27dB
9	+24dB
8	+21dB
7	+18dB
6	+15dB
5	+12dB
4	+9dB
3	+6dB
2	+3dB
1	0dB

11	F1.6
10	F2
0F	F2.4
0E	F2.8
0D	F3.4
0C	F4
0B	F4.8
0A	F5.6
9	F6.8
8	F8
7	F9.6
6	F11
5	F14
0	CLOSE

# Interface Function and Connection Diagram

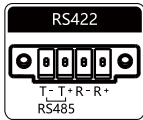


## ① Upgrade Interface

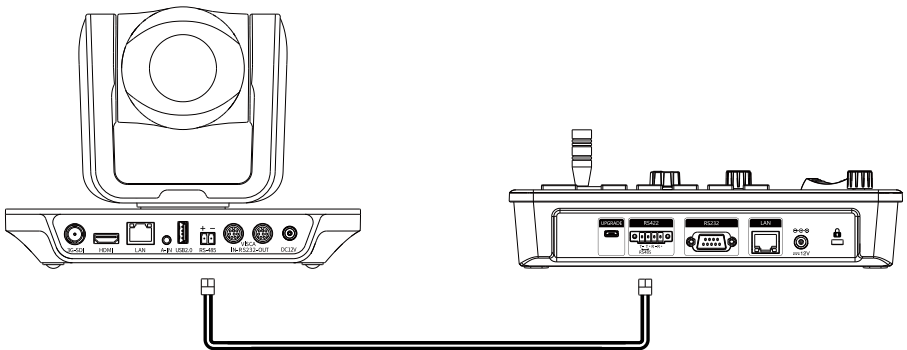


The interface is for upgrade of Hardware of keyboard by Laptop. Using Micro USB Cable direct connection with PC, And Upgrade by our upgrade tools software.

## ② RS422/RS485 Interface

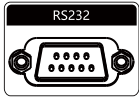


This Interface is using to Connection with Camera by RS422 or RS485,detail connection diagram as follows pictures:

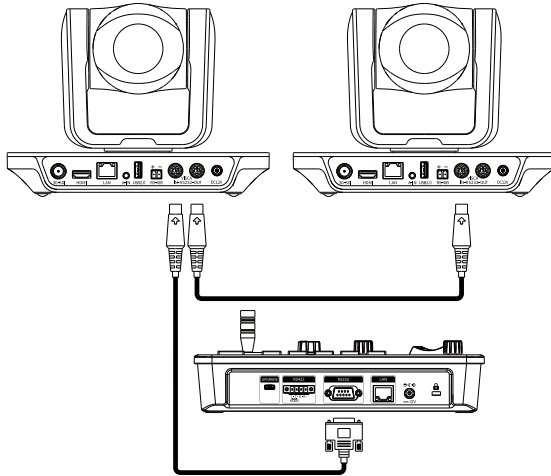


# Interface Function and Connection Diagram

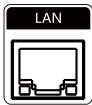
## ③ RS232 Interface



This Interface is using to connection with Camera through RS232, detail connection diagram as follows Pictures:



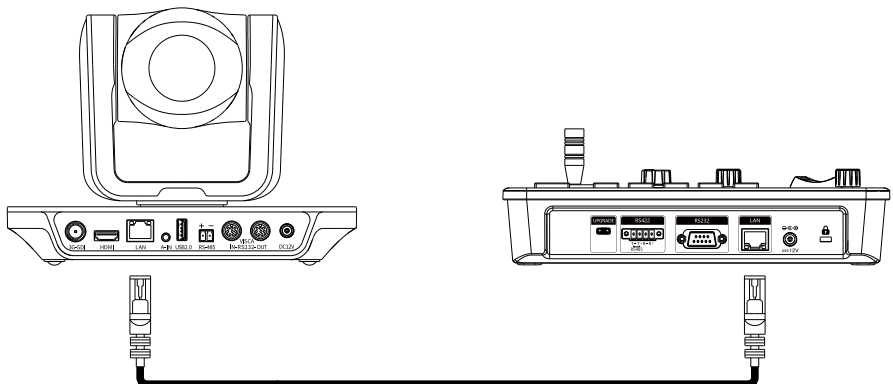
## ④ LAN Interface



The LAN Interface is using for connection with Network switch or others.

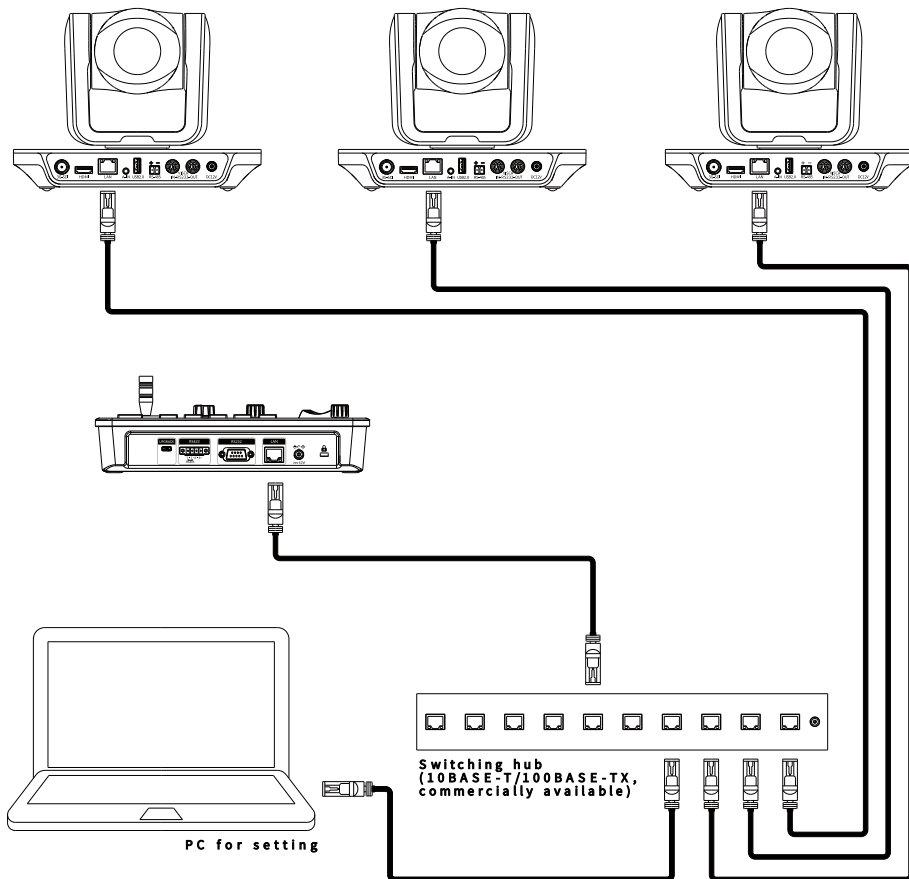
Network PTZ Camera, detail connection diagram as follows:

- Connect with Single Unit Network PTZ Camera connection diagram as follows:



# Interface Function and Connection Diagram

- Connect with multiple cameras by LAN interface detail connection diagram as follows:  
(When connecting multiple cameras, you need to set the IP of each camera separately with a computer).



## ⑤ 12V Power Supply Interface



This interface is the Power supply interface, you can direct connection it with Power adapter; please don't using non-original Power adapter.

# System Menu Operation Instructions

---

## System Menu Operation & Explanation

---

1. Long Press [ MENU ] with 3secs will turn on Keyboard system Menu;
2. The joystick swings up and down: control the system menu cursor to move up and down / change the parameters of the current menu item;
3. The Joystick swings Right: enter the current menu item / save and exit the current menu item;
4. The Joystick swings Left: Exist current Menu item/ No Saved and Exit current Menu item;
5. Press [ MENU ] to exist System Menu;
6. Press the number keys [0]~[9]: input numerical value (only valid for menu items that need to input numerical value). example IP Address or Port number setting.
7. When the current value is number input, the green backlight of [CAM1]~[CAM5] is Light on, and at this time [CAM1]~[CAM5] Corresponds to the numbers 6~0 on the silk screen above the buttons.

## SYSTEM MENU

---

1. Long Press [ MENU ] with 3 secs will turn on Keyboard system Menu.
2. The joystick swings up and down to control the menu cursor to move up and down.

- |   |
|---|
| <ol style="list-style-type: none"><li>1. System Setting</li><li>2. COMM Setting</li><li>3. Ethernet Setting</li><li>4. IP Camera Search</li><li>5. Password Setting</li></ol> |
|---|

## SYSTEM SETTING

---

The joystick swings up and down the Cursor to [ System Setting ], then Movement right to enter System Setting menu.

### ● [ Language ]

The Joystick swings up/down to [Language], then Movement right to enter setting. The Joystick swing up/down can changed the current Parameters setting, Swing the joystick to the right to save the current parameters and exit the language settingstate. The following menus operate setting is same.

- |  |
|--|
| <ol style="list-style-type: none"><li>1. Language: English</li><li>2. LED Display Brightness: High</li><li>3. Preset Mode: 5 Preset</li><li>4. Factory default Setting</li><li>5. About Keyboard</li></ol> |
|--|

Optional Language: 简体中文, 繁体中文, English; other languages can be customized and developed according to customer needs.

### ● [ LED Display Brightness ]

Change the brightness of the LED display: Low, Normal, High.

# System Menu Operation Instructions

---

- [ Preset Mode ]

To move the cursor to [PRESET MODE], then Movement right to enter Presets Mode, To selection 5 Presets or 10 Presets Mode;

- [ Factory default Setting ]

To change the Keyboard restore to Factory default setting.

- [ About Keyboard ]

To review the relevant information of the keyboard, including: keyboard model, Firmware version, factory S/N and other information.

## COMM SETTING

---

To move the cursor to [ Comm Setting ], then Movement right to enter Comm Setting:

1. Channel:	CAM1
2. Address:	1
3. Baud Rate:	9600
4. Agreement:	VISCA
5. Camera IP:	192.168.1.162
6. Camera port:	52381
7. Camera Brand:	SONY
8. Camera model:	BRG-X400

- [ Channel ]

Available channels CAM1~10,

Short press the buttons [CAM1]~[CAM5] to correspond to CAM1~5.

Long press the buttons [CAM1]~[CAM5] to correspond to CAM6~10.

- [ Address ]

To set the serial communication address of the corresponding channel.

If the current communication protocol is VISCA, the communication address can be selected from 1~7. If the current communication protocol is PELCO-D/P, The communication address can be selected from 1~255.

- [ Baud Rate ]

To set the serial communication Baud Rate of the corresponding channel.

Available in: 2400, 4800, 9600, 19200, 38400bps.

- [ Protocol ]

To set the Serial communication Protocol of the corresponding channel ( Including Serial Communication Protocol and Internet Communication Protocol).

Available in: VISCA, PELCO P/D, UDP.

# System Menu Operation Instructions

---

- [ Camera IP ]

Set the IP address of the corresponding channel. You can directly enter it through the numeric keys. When the input digits reach 3, the cursor automatically jumps to the next input item.

- [ Camera Port ]

Set the UDP communication port of the corresponding channel, depending on the UDP port number of the camera connected to the current channel.

- [ Camera Brand ]

Set the camera brand of the corresponding channel.

- [ Camera Model ]

Set the camera model of the corresponding channel. Different models have different exposure parameters and white balance parameters.

## ETHERNET SETTING

---

To move the cursor to [ Ethernet Setting ], then Movement right to enter Ethernet Setting:

1.UDP IP:	192.168.1.188
2.UDP Port:	52381
3.WEB IP:	192.168.1.162
4.DHCP:	Off

- [ UDP IP ]

Set the IP address of the keyboard itself. The default IP address is 192.168.1.188 and the default port number is 52381. You can enter it directly using the numeric keys.

- [ UDP port ]

Set the UDP Port of the keyboard itself. The default port number is 52381.

- [ WEB IP ]

Display the keyboard's own web IP address. The computer can be connected to the keyboard via a network cable, and the IP address can be entered into the keyboard's web page in the browser.

- [ DHCP ]

It shows whether the keyboard's own web terminal has the function of automatically obtaining an IP address turned on. If this function is turned on, the router will assign an IP address to the keyboard's web terminal.

# System Menu Operation Instructions

---

## IP CAMERA SEARCH

---

Move the cursor to the [IP Camera Search] item and move the joystick to the right to start searching for IP cameras in the LAN:

Camera List
1.192.168.1.169>>CAM8
2.192.168.1.199>>CAM?

After the camera is searched, it will be displayed in the camera list. The CAM (1~10) displayed after the camera IP address indicates that the IP address of the camera is set in the CAM (1~10) corresponding to the keyboard. The CAM ? displayed after the camera IP address indicates that there is no CAM set as the IP address of the camera in the keyboard. You can select the corresponding camera IP address by moving the joystick up and down, and select CAM ? by moving the joystick right. You can change it to CAM (1~10) by moving the joystick up and down, and save it by moving the joystick right. After saving, the CAM channel (1~10) corresponding to the keyboard will be changed to the IP address of the camera.

If no camera is found, the camera list will display "No camera found".

## PASSWORD SETTING

---

To move the cursor to [ Password Setting ], then Movement right to enter Password :

1. Using Password:	Enabled
2. Modify Password	

### ● [ Using Password ]

How to Using the Password Function: To changed the Password setting is Enable;

When the password function is Enable, a password is required to enter the menu.

The default password is: 8888

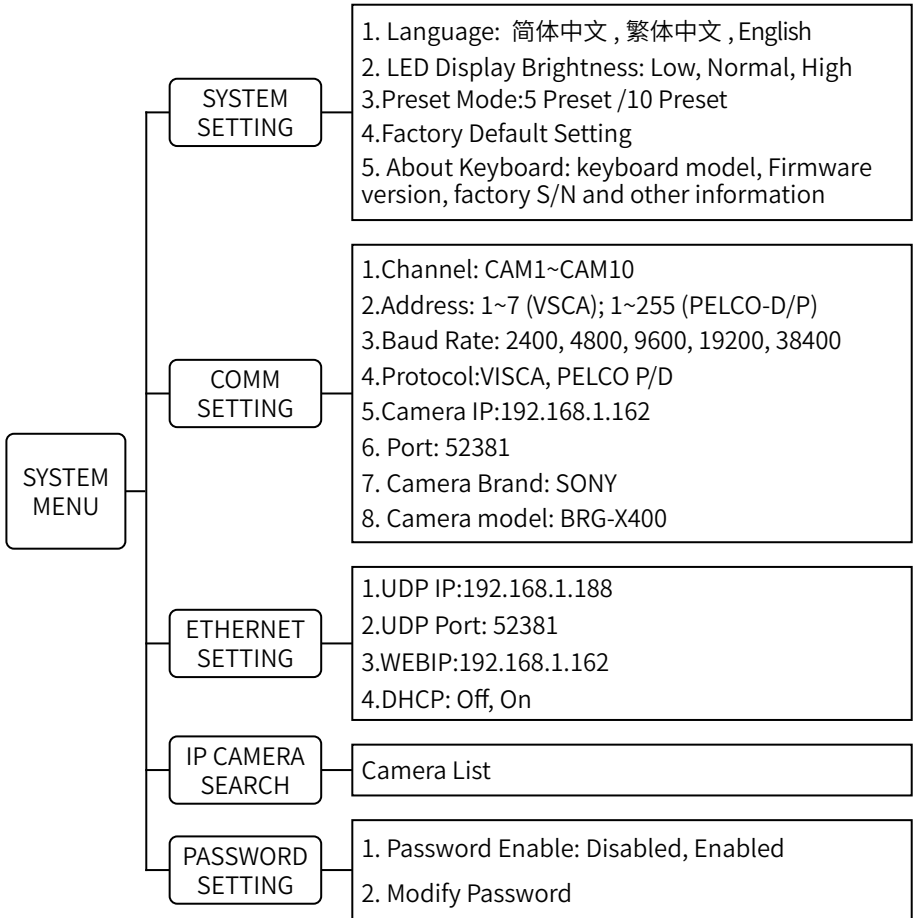
### ● [ Modify Password ]

The user can change the password by himself. If the password is not changed, the password is the default password.

Warning: Please use this function with caution. If the product cannot be used normally due to the password set by the customer, the manufacturer does not assume any responsibility.

# System Menu Operation Instructions

## SYSTEM MENU GUIDE



## WEB INTERFACE FUNCTION DESCRIPTION

Use the WEB IP in the network settings displayed in the main menu of the keyboard, connect the keyboard to the computer through the LAN port using a network cable, and enter the WEB IP in the browser to enter the keyboard's WEB interface.

Web default account: admin Password: admin

# Web Interface Function Description

## System

Version: Displays the device model, device ID, network card physical address, software version, web software version.



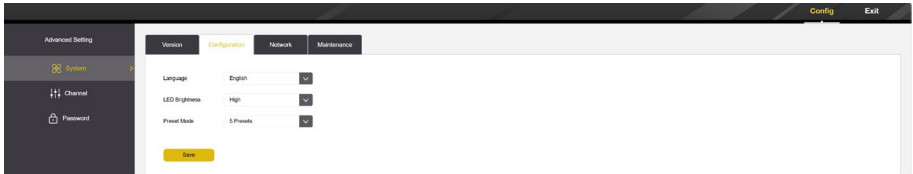
## Configuration:

Language: 简体中文 / 繁体中文 / English

LED Brightness: High/ Normal/ Low

Preset Mode: 10 Presets /5 Presets

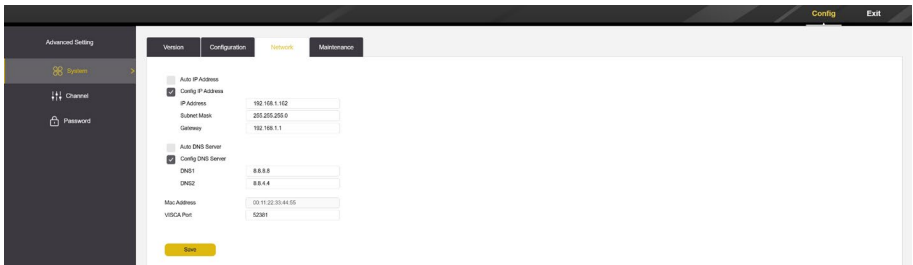
Click "Save" to save the settings modified in the system configuration to the keyboard.



## Network :

Displays the IP address and DNS server address currently used by the web client. VISCA Port displays the UDP port currently used by the keyboard.

After modifying the parameters, click "Save" to take effect.



# Web Interface Function Description

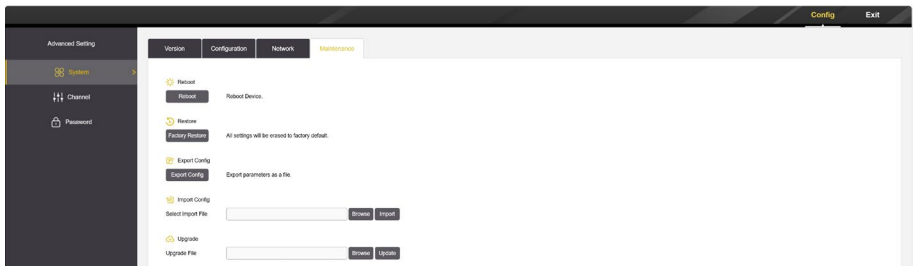
## Maintenance

Reboot:click "Reboot" to restart the keyboard

Factory Restore:All settings will be erased to factory default

Export Config: click to export the parameters of the current keyboard settings as a file.

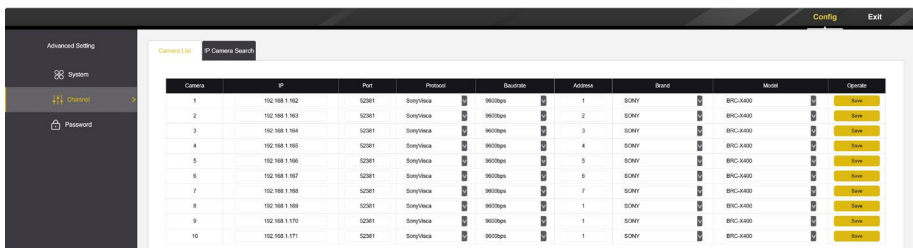
Import Config:Parameters saved in the exported configuration file can be imported into the keyboard.Upgrade, you can select the upgrade file to upgrade.



## Channel

### Camera List

You can display and set all parameters in CAM (1~10) channels, including: IP address, Port, Protocol, Baudrate, Address, Brand, Model. After setting the parameters, click "Save" after the corresponding channel to save them to the keyboard synchronously.

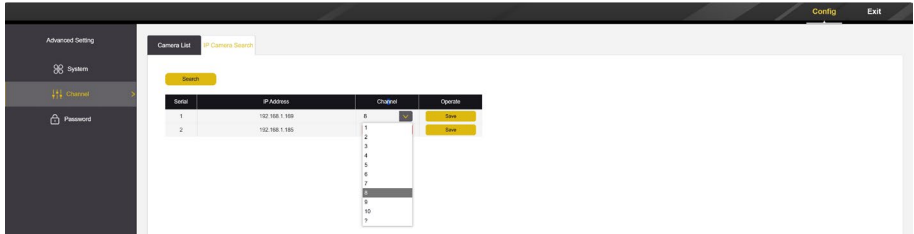


# Web Interface Function Description

## IP Camera Search

Click "Search" to search for IP cameras in the local area network.

After searching for the camera, you can modify the channel number. Click "Save" to change the IP of the channel number to the IP address of the corresponding camera.



## Password

Page :After clicking the serial number, click "Modify: to log in to the page password. You need to verify the current password before you can modify it.



## Keyboard

Enabled: open/close, open the operation of the keyboard to open the main menu need to enter the password, the default password is 8888.

Modify: you can change the password to enter the main menu of the keyboard, you need to verify the current password used.



**WARNING:** Please use this function with caution, if the product cannot be used normally due to the password set by the customer, the manufacturer will not take any responsibility.

# Products Dimensions

The size for Mini Pro PTZ Controller is as below:  
(Unit of length: mm)

